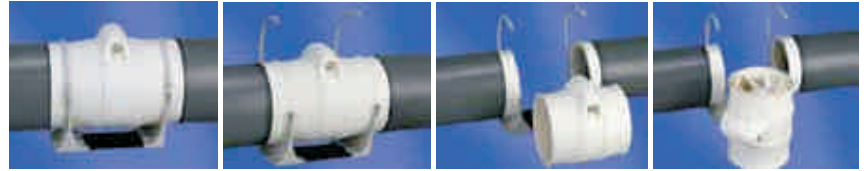


DUCT IN LINE

IP-44



2 VELOCIDADES
3 VELOCIDADES
DUCT IN LINE 200 ESTANDAR

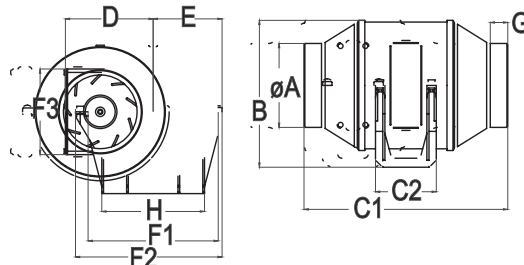
	ØA	B	C1	C2	D	E	F1	F2	F3	G	H
DUCT IN LINE 100/130	98	171,5	238	71	102,5	80,5	152	171	100	20	120
DUCT IN LINE 100/270	98	232	315	241,6	117	115	168	180	155	25	130
DUCT IN LINE 125/320	122	232	279	241,6	117	115	168	180	155	25	130
DUCT IN LINE 150/560	147	244	293	272,4	129	115	192	180	158	21	130
DUCT IN LINE 160/560	157	244	312,6	272,4	129	115	192	180	158	23	130
DUCT IN LINE 200/910	197	278,5	353,6	272,4	138,5	140	211	230	161,5	51,5	142

DUCT IN LINE

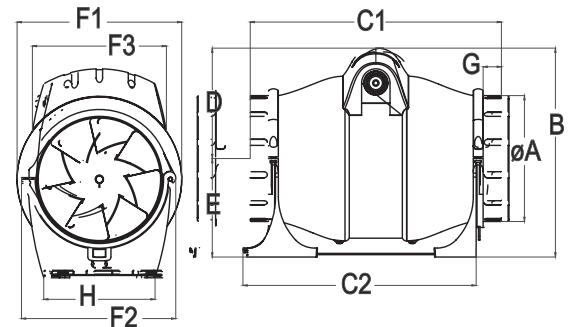
Assembling inside the hard or elastic tubes.Easy installation.
Silent operation.

Fan Body and Propeller

Fan's body and fan blades are produced of ABS plastic,In accordance with the standards of EN 60335-2-80,Low Noise Level



Modelo DUCT IN LINE 100/130



Important Information:

Product data and technical values may vary according to the operation location and conditions.All of the data given here in have been measured according to standards of TSE and EC norms Noise level measurements have been taken at a distance of 1,5 m from the related product.The recommended lifespan is 10 years. All of our products are certified with the guaranty certificate approved by the Ministry of Industry. Guaranty period is 2 years.

MODEL	Volt (V)	r.p.m.	W	MAX.		dB (A)	Weight (kg)	Package Pcs.
				m ³ /h	mm H ₂ O			
DUCT IN LINE 100/130	230 V ~ 50 Hz.	2200	25	130	12	24	1,2	1
DUCT IN LINE 100/270	230 V ~ 50 Hz.	2300/1700	30/18	270/190	18	30/24	2,1	1
DUCT IN LINE 125/320	230 V ~ 50 Hz.	2300/1700	30/18	365/250	18	32/26	2,1	1
DUCT IN LINE 150/560	230 V ~ 50 Hz.	2700/2000	80/60	595/420	35	33/27	3,2	1
DUCT IN LINE 160/560	230 V ~ 50 Hz.	2700/2000	80/60	595/420	35	33/27	3,2	1
DUCT IN LINE 200/910	230 V ~ 50 Hz.	2700/2000/1800	85/65/55	910/820/720	25	39/34/32	4,5	1